

SXYx 2 axes

● Arm type ● Cable carrier



Ordering method

SXYx - C					RCX222				
Model	Cable	Combination	X-axis stroke	Y-axis stroke	Cable length	Controller	Usable for CE	Input/Output selection 1	Input/Output selection 2
A1			15 to 105cm	15 to 65cm	3L: 3.5m (Standard) 5L: 5m 10L: 10m	RCX222 DRCX1005	No entry: Standard E: CE marking	N: NPN ^{Note 1} P: PNP CC: CC-Link DN: DeviceNet PB: Profibus EN: Ethernet ^{Note 2} YC: YC-Link ^{Note 2}	No entry: None N1: OP.DIO24/16 (NPN) ^{Note 1} P1: OP.DIO24/17 (PNP) EN: Ethernet ^{No e 1} No e 3

Note 1. NPN and Ethernet cannot be selected if using CE marking.
 Note 2. Available only for the master.
 Note 3. Only when CC or DN or PB was selected for I/O select 1 above. EN can be selected in I/O select 2.

Specification

	X-axis	Y-axis
Axis construction ^{Note 1}	F14H	F14
AC servo motor output (W)	200	100
Repeatability ^{Note 2} (mm)	+/-0.01	+/-0.01
Drive system	Ball screw (Class C7)	Ball screw (Class C7)
Ball screw lead (Deceleration ratio) (mm)	20	20
Maximum speed ^{Note 3} (mm/sec)	1200	1200
Moving range (mm)	150 to 1050	150 to 650
Robot cable length (m)	Standard: 3.5 Option: 5,10	

Note 1. Use caution that the flange machining (installation holes, tap holes) differs from single-axis robots.
 Note 2. Positioning repeatability in one direction.
 Note 3. When the X-axis stroke is longer than 750mm, resonance of the ball screw may occur depending on the operation conditions (critical speed). In this case, reduce the speed setting on the program by referring to the maximum speeds shown in the table below.

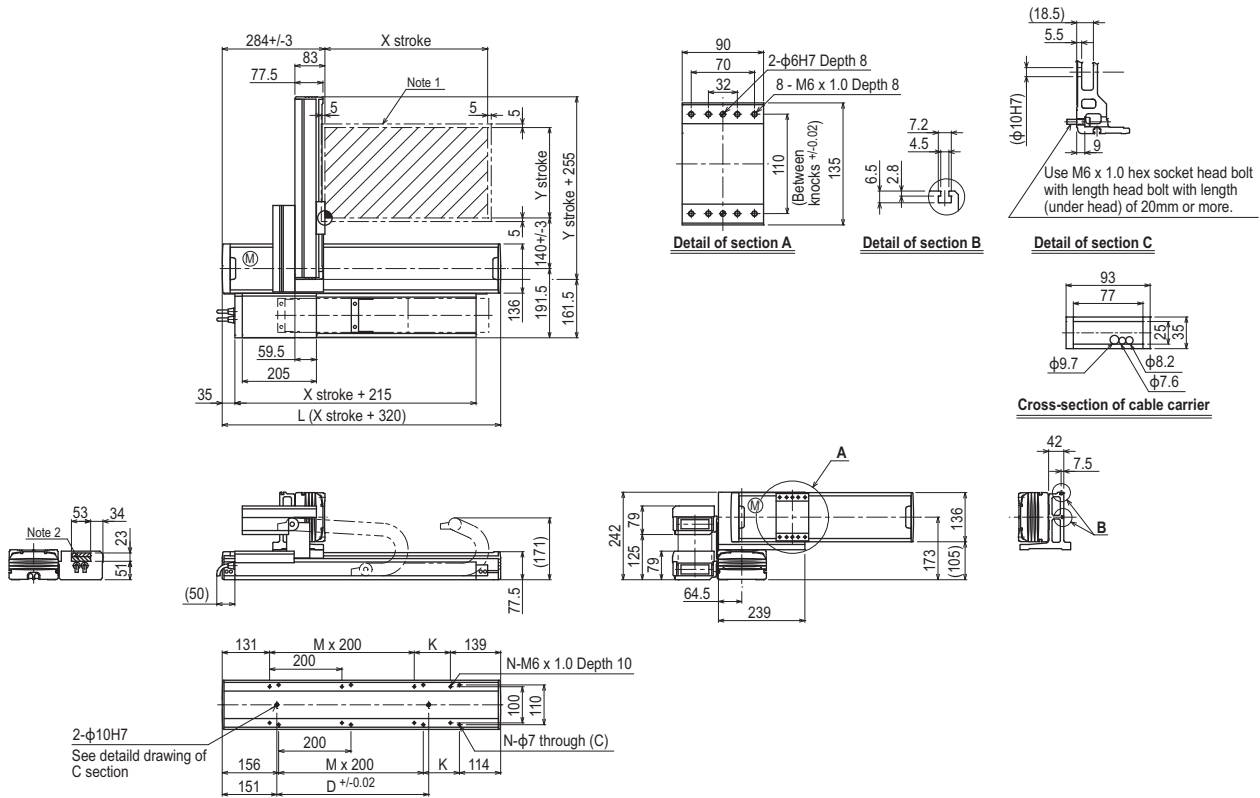
Maximum payload (kg)

Y stroke (mm)	XY 2 axes
150	20
250	17
350	15
450	13
550	11
650	9

Controller

Controller	Operation method
RCX222	Programming / I/O point trace / Remote command / Operation using RS-232C communication
DRCX1005	

SXYx 2 axes A1



X stroke	Y stroke										
	150	250	350	450	550	650	750	850	950	1050	
L	470	570	670	770	870	970	1070	1170	1270	1370	
K	200	100	200	100	200	100	200	100	200	100	
D	240	240	420	420	600	600	780	960	960	1140	
M	0	1	1	2	2	3	3	4	4	5	
N	4	6	6	8	8	10	10	12	12	14	
Y stroke	150	250	350	450	550	650					
Maximum speed for each stroke (mm/sec) ^{No e 3}	X-axis	1200					960	780	600	540	
	Speed setting	-					80%	65%	50%	45%	

Note 1. The moving range when returning to origin and the stop position when stopping by the mechanical stopper.
 Note 2. The shaded position indicates a user cable extraction port.

Note 3. When the X-axis stroke is longer than 750mm, resonance of the ball screw may occur depending on the operation conditions (critical speed). In this case, reduce the speed setting on the program by referring to the maximum speeds shown in the table at the left.

